

Height Adjustable Desk

MAKE THE MOVE TO A HEALTHIER WORKPLACE.

THE HUMAN BODY is not designed to remain in the same position for hours at a time. Finding the right sit-stand solution to address this need to move, and allow the user to change position frequently throughout the day, can be a challenge.

HEIGHT ADJUSTABLE SOLUTIONS are the foundation for any economically equipped workspace and can be the single most effective means of achieving flexibility, maximizing comfort and increasing productivity in any office space.

TABLE TOP SIT-STAND SOLUTIONS provide a quick and efficient way to transform any ordinary fixed height desk into a more ergonomic sit-stand workspace.

STANDARD CONFIGURATIONS

- DESK adjustable from 1600 - 2000mm x 800mm
- EXTENSION UNIT 900 - 1200mm x 600mm
- SPECIFICATIONS maximum height - 1150 / minimum height - 700mm
speed - 20mm/s / load per leg - 80kg / anti collision stop

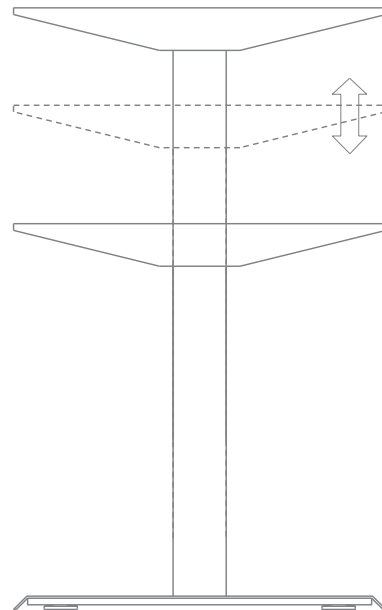
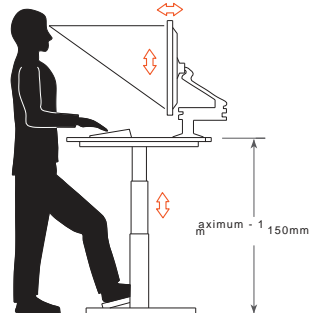
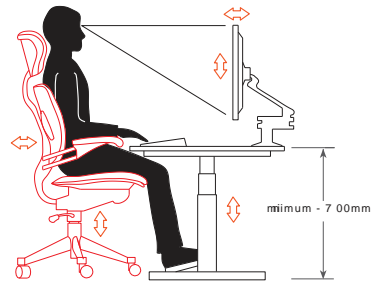
• AVAILABLE FINISHES



mto Made to Order Products (MTO)

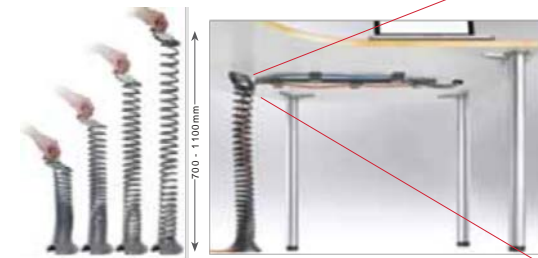
HEIGHT ADJUSTABLE DESK | ITEM 1515
Features | with memory function & touch screen | MOQ | black | white | silver
Size | 1600-2000mm | single desk | 10 | RSF399 | RSF398 | RSF400

HEIGHT ADJUSTABLE DESK WITH EXTENSION | ITEM 1516
Features | single desk extension unit | MOQ | black | white | silver
Size | 900-1200mm | extension unit | 10 | RSF402 | RSF401 | RSF403



Components

- Self defined touch operation
- Rapid response
- Four memory heights can be pre-set



• Office Worm - full description with codes on page 62

